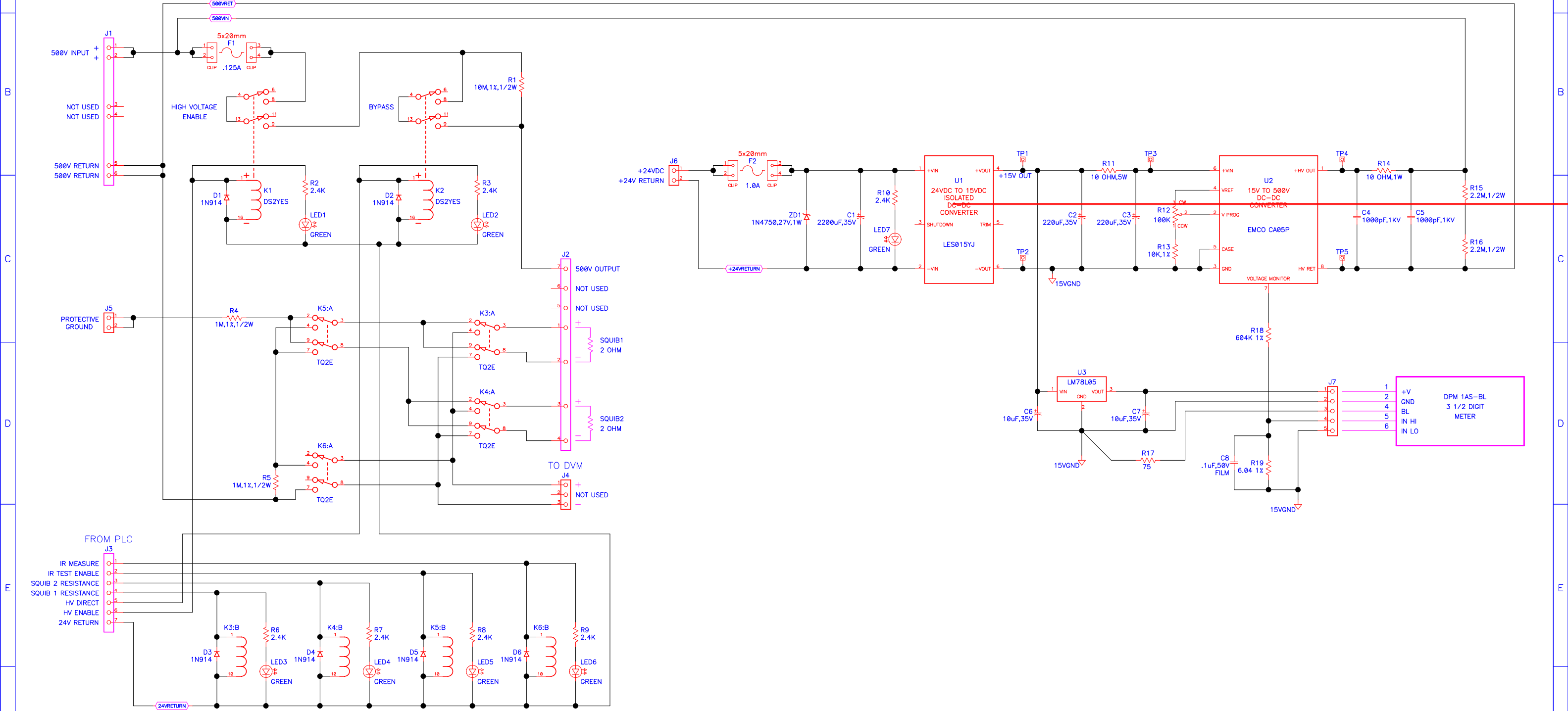


REVISIONS			
REV	DESCRIPTION	DATE	APPROVAL
N/C	INITIAL RELEASE	11/12/2001	



<small>DIMENSIONS IN INCHES UNLESS NOTED DECIMAL TOL. +/- ANGULAR TOL. +/- X.XX; X.XX</small>	CONTRACT NO.  DATE 1/8/2004	DESIGN CONSULTANTS Santa Barbara, Calif  SCHEMATIC- DT501 INITIATOR TEST
DRAWN: VAUGHN ENGINEERING CHECKED: APPROVED:	SIZE D	FSCM NO. DRAWING NUMBER 6050 REV. NC
DO NOT SCALE DRAWING		SCALE: PART NO.: SHEET 1 OF 1